



- Measurement length 1000 mm to 5700 mm
- 0,8 mm stainless steel wire diameter
- High resolution options;  
0,4 - 0,2 - 0,1 mm / Pulse (or optional)
- 5 VDC or 10...30 VDC Power supply
- A, B, Z, /A, /B, /Z Encoder Signal Outputs (Push-Pull or Line Driver)
- High strength stainless steel wire
- 2 m/s maximum speed
- Wide working temperature range of -25 to +85 °C
- Shock/Vibration resistant
- 2,4N Maximum extension force
- Aluminum anodized body

AWE 220 wire encoders are incremental wire transducers that turn a linear motion into coded digital pulses. Optionally other stroke lengths, resolution, cable length and socket connector can be requested.

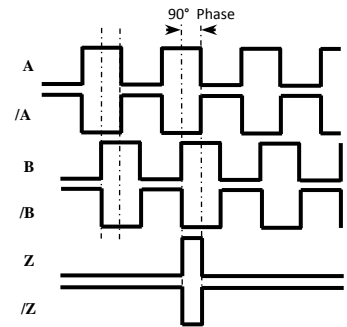
They are made of an incremental encoder, activated by the stroke of a winding or unwinding, stainless steel wire. A special feature is their easy assembling. The linking together to a display or an electronic positioner supplies an excellent system to measure the dimensions on machine tools, automatic, wood, marble, glassworking machinery etc.

### TECHNICAL SPECIFICATIONS

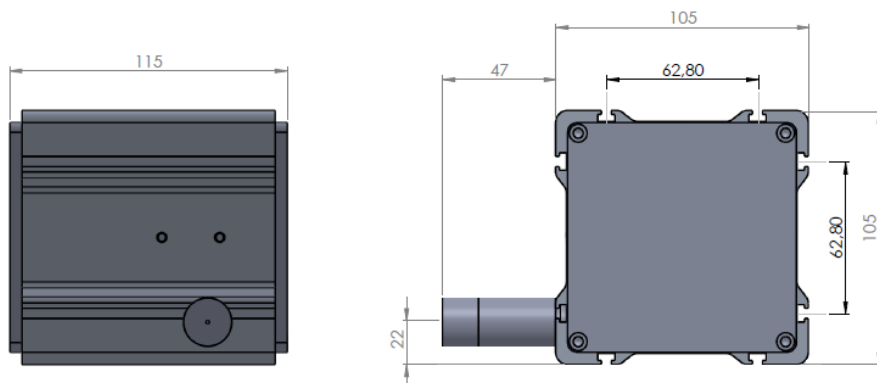
<b>Power Supply</b>	10...30VDC ±%20 , 5VDC ±%5 5...24VDC ±%20 , 5...30VDC ±%20
<b>Resolution (mm / Pulse)</b>	0.4, 0.2(Standard), 0.1mm (Please ask for the other requests)
<b>Stroke Length (mm)</b>	1000, 1500, 2000, 2500, 3000, 4000, 5000, 5700 (Please ask for the other requests)
<b>Accuracy</b>	±0,4 mm/meter
<b>Maximum Speed</b>	2 m/s
<b>Output Signals</b>	AB , ABZ, AB/A/B, ABZ/A/B/Z
<b>Maximum Output Current</b>	Max. 60 mA per channel
<b>Working Temperature</b>	- 25 to +85 °C
<b>Relative Humidity</b>	10 to 90%
<b>Weight</b>	1.000 grams

PIN NO	SIGNAL	CABLE COLOR
1	A	YELLOW
2	/B	WHITE
3	+V	RED
4	0 V	BLACK
5	/A	BLUE
6	B	GREEN
7	/Z	GREY
8	Z	PINK
9	EARTH	SHIELD

In the left tablet he cable colors of sensors output signals are given. If the control circuit is suitable in the Line Driver sensors of the not output signals (/A, /B, /Z) have to be added to the system. If it is not suitable /A, /B, /Z signal cables must be fixed as insulated separately. Don't forget that these edges have electricity too.

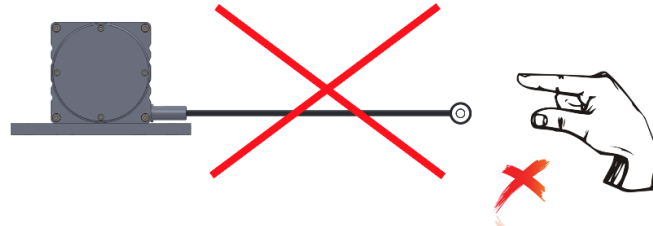


### MECHANICAL DIMENSIONS

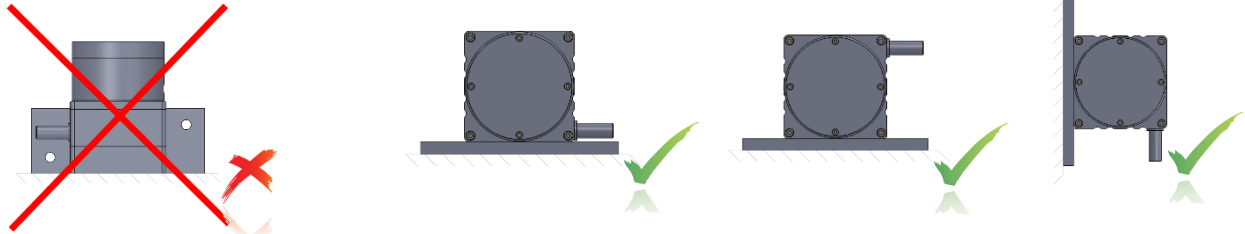


**MOUNTING - WARNINGS**

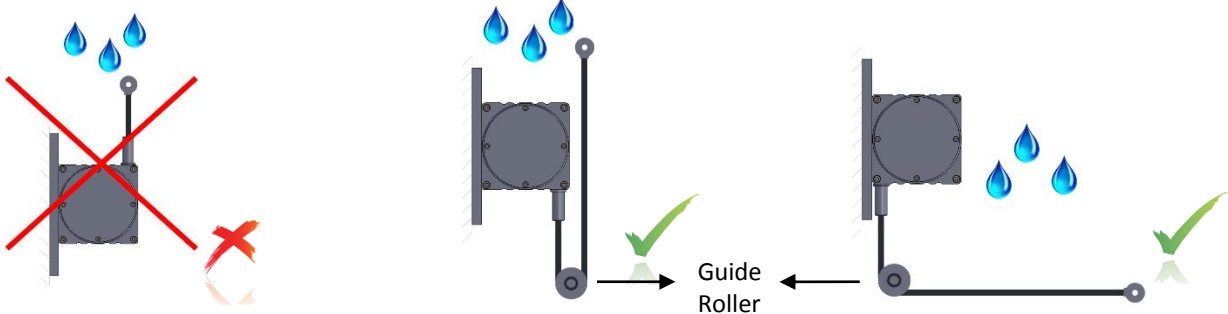
1. Do not release the wire suddenly, after pulling.



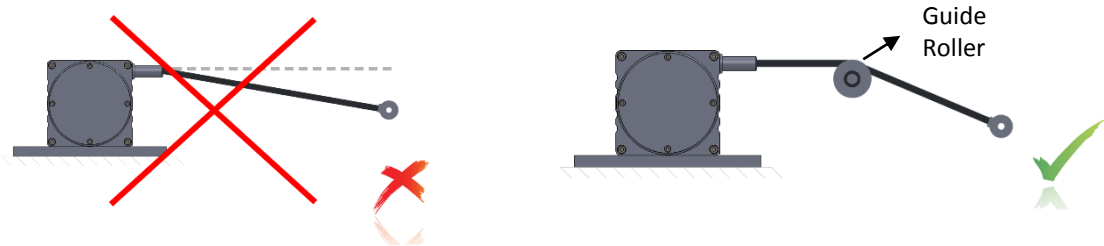
2. The wire encoder must be mounted vertically in position, not horizontally.



3. If there is the possibility of splashing of water (like rain) on the device, the wire outlet must not look upwards. If the wire needs to go upwards, please use guide rollers.



4. The wire should not be pulled with an angle. If needed, please use guide rollers.



**Failure to comply with these recommendations will lead to malfunctions, which will not be covered by the warranty.**

**Order Code**

**Model**

AWE 220

**AWE 220**

**XX**

**Resolution**

- 04 : 0,4 mm / Pulse
- 02 : 0,2 mm / Pulse (Standard)
- 01 : 0,1 mm / Pulse

\* Please ask us for other requests

**Stroke Length**

- 1000 : 1000 mm
- 1500 : 1500 mm
- 2000 : 2000 mm
- 2500 : 2500 mm
- 3000 : 3000 mm
- 4000 : 4000 mm
- 5000 : 5000 mm
- 5700 : 5700 mm

\* Please ask us for other requests

**XXX**

**Output Signals**

- 3 (A,B,Z)
- 6 (A,/A,B,/B,Z,/Z)

**X**

**Power Supply and Output**

- PP : 10...30 VDC Supply
- : 10...30VDC Output
- TTL : 5 VDC Supply
- : 5 VDC TTL RS422 Line Driver Output
- HTL : 10...30 VDC Supply
- : 5 VDC TTL RS422 Line Driver Output
- HPL : 5...24 VDC Supply
- : 5...24 VDC Push-Pull Output
- PTL : 5...30 VDC Supply
- : 5 VDC TTL RS422 Line Driver Output

**Cable Length**

- 3M : 3M (standard)
- 5M : 5M
- 10M : 10M
- S16 : M16 Socket Connector
- S23 : M23 Socket Connector

\* Please ask us for other cable lengths and socket connectors

**3M**

**Atek Sensor Technology A.S.**

Tuzla KOSB Organize Sanayi Bolgesi Melek Aras Bulvari, No:67 34956 Tuzla-Istanbul / TURKEY

Tel: +90 216 399 44 04

Fax: +90 216 399 44 02

[www.ateksensor.com](http://www.ateksensor.com)

[info@ateksensor.com](mailto:info@ateksensor.com)

