



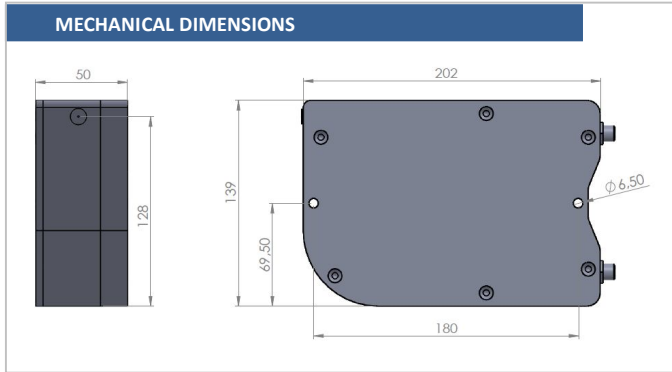
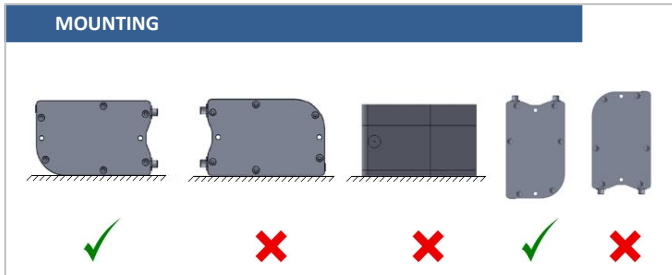
AWP 820 Series Wire Potentiometers

- Measurement length 6000 mm to 10.000 mm
- Maximum 42 VDC Power Supply
- Large size
- High strength stainless steel wire
- 0,5 m/s maximum speed
- IP67 Protection class
- Shock/Vibration resistant
- 3 meters cable
- Aluminum anodized body

AWP820 series wire potentiometer is converted the linear movement to potentiometric output. AWP820 is easily used in outdoor environments with IP67 or optional protection class IP68.

Optionally, another feature of this model, through to double potentiometer inside, if one of products faults it can works with one potentiometer.

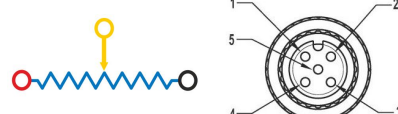
There are different options in models up to 10.000 mm and specially mainly used top of car equipment systems.



TECHNICAL SPECIFICATIONS

Power Supply	Max. 42 VDC
Stroke Length	6000 , 7000 , 8000 , 10.000 mm (Please ask us for other)
Maximum Speed	0,5 m/s
Resistance	5KΩ or optional 10KΩ
Output	Potentiometric
Linearity	± 0,25 % FS
Protection Class	IP67
Process Temperature	- 40 to +85 °C
Relative Humidity	%10 to %90
Weight	< 3200 grams
Electrical Connection	M12 Socket or standard 3 meters cable (Please ask us for other)

Signal	M12 Socket	Cable
NC	Pin 1	Shield
Resistance / + Supply	Pin 2	Red
Resistance / - Supply	Pin 3	Black
COMMON	Pin 4	Yellow
NC	Pin 5	Green



PRODUCT CODING

Model AWP 820	Resistance 5K : 5KΩ (Please ask us for other)	Output Signals No Code : Potentiometric V : 0-10 VDC Analog Voltage A : 4-20 mA Analog Current C : Can Open (CiA DS406)
AWP820	5K	
XXX		
Stroke Length 6000 : 6000 mm 7000 : 7000 mm 8000 : 8000 mm 10000 : 10000 mm	3M	
	Cable Length S12 : M12 Socket 3M : 3 meters (standard) 5M : 5 meters 10M : 10 meters	