

LINEAR POSITION TRANSDUCERS

"4-20 mA Analog Measuring and Twin bearing actuating rod"

LTP-A



- Twin bearing actuating rod
- Mountable over backlash free pivots heads with a large angle of free movement
- 4-20 mA Analog output and other models
- Maximum angular movement up to $\pm 30^\circ$
- Potentiometric measuring stroke up to 750 mm
- Absolute measurement of displacement
- Very long life up to 100 million movements
- High operating speed 5 m/s
- The grooves provide an excellent alternative to the usual system

LTP-A is built easy mounting by double pivot heads. It's a high precision 4-20 mA analog output industrial linear motion transducer with a long lasting conductive track suitable for absolute position measuring in control and Measurement applications. Designed for the direct, absolute measurement of displacement or angle in control regulation and measuring applications.

Mechanical fixing and self-aligning linkage using 2 ball joints. Maximum angular movement angle is up to $\pm 30^\circ$

High resolution (0.01 mm) combined with a stroke length of up to 750 mm permits the accurate measurement of linear displacement.

Technical Specifications

Defined Electrical Ranges	50 - 75 - 100 - 125 - 150 - 175 - 200 - 225 - 250 - 275 - 300 - 325 - 350 - 360 - 375 - 400 - 450 - 500 - 550 - 600 - 650 - 700 - 750
Output Signals	Standart 4-20 mA Analog Output (optional 0-20mA)
Independent Linearity	$\pm 0,3$
Electrical Connection	4 pin female socket
Power Supply	24 VDC
Resistance	5K or 10Kohm and other (± 20 tolerance)
Protection Class	IP65
Temperature Range	-30°C $+100^\circ\text{C}$
Life	100 million movements
Mechanical Fixing	With 2 ball-joints
Rod Material	Stainless steel
Housing Material	Anodized aluminium

LTP-A Series 4-20 mA Analog Output Linear Transducers are mainly used in :

- Press Brake Machines
- Marble Machines
- Tension Control
- Horizontal Band Saw Machines
- Transfer Machines
- Hydraulic Machines
- Sheet Metal Working Machines
- Bending Presses
- Textile Machines

Order Code

Model No

L T P - 3 0 0 - A

Defined Stroke Range

Several standard lengths from 50 mm to 750 mm
*other lengths on request

Output

A : 4-20 mA Analog Curent Output

**Optional 0-20 mA Current Output

Included in Delivery

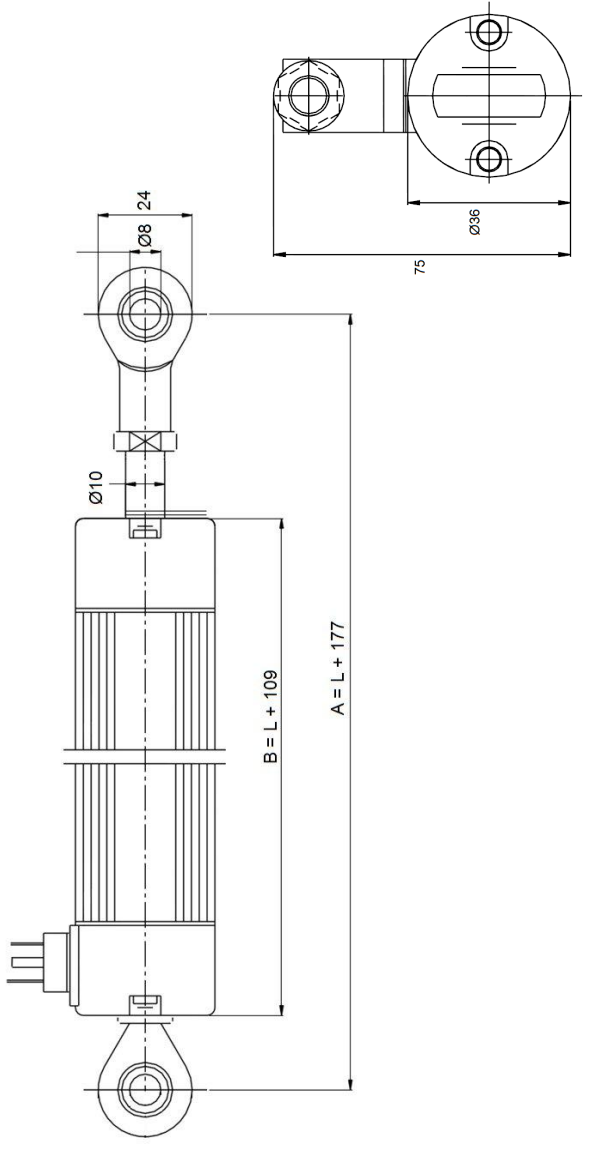
1 Connector / 4 pin female socket

Recommended Accessories

Pivot head
Process-controlled indicators "ALP Series"



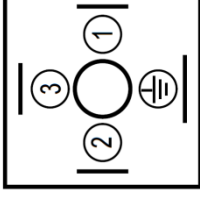
Dimension



Connections

4-20 mA ANALOG OUTPUT

1. +24 VDC Supply
2. Analog Output
- 4-20 mA Voltage Output
3. GROUND
4. SHIELD



TYPE	LTP 50	LTP 75	LTP 100	LTP 125	LTP 150	LTP 175	LTP 200	LTP 225	LTP 250	LTP 275	LTP 300	LTP 325	LTP 350	LTP 360	LTP 375	LTP 400	LTP 450	LTP 500	LTP 550	LTP 600	LTP 650	LTP 700	LTP 750
STROKE	50	75	100	125	150	175	200	225	250	275	300	325	350	360	375	400	450	500	550	600	650	700	750
MECHANICAL STROKE (mm)	54	79	104	129	154	179	204	229	254	279	304	329	354	364	379	404	454	504	554	604	654	704	754
ELECTRICAL STROKE (mm)	50	75	100	125	150	175	200	225	250	275	300	325	350	360	375	400	450	500	550	600	650	700	750
MECHANICAL DIMENSIONS																							
BETWEEN PIVOT HEADS (A) (mm) ±2 mm	227	252	277	302	327	352	377	402	427	452	477	502	527	537	552	577	627	677	727	777	827	877	927
BODY LENGTH (B) (mm) ±2 mm	159	184	209	234	259	284	309	334	359	384	409	434	459	469	484	509	559	609	659	709	759	809	859