

LINEAR POSITION TRANSDUCERS

LTR

“Spring System, Short Strokes”

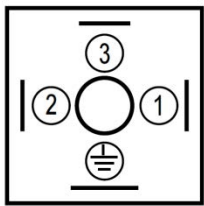


- Spring System
- Potentiometric Measuring
- Between 10 mm to 150 mm Electrical Ranges
- High Resolution
- Very Long Life Up To 100 Million Movements
- Protection Class IP64
- High Operating Speed 5 m/s
- Small Sizes

LTR series is the industry proven system on both actuator shaft and spring.

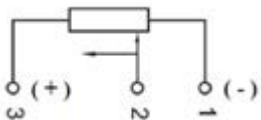
LTR is a high precision potentiometric industrial linear motion transducer with a long lasting conductive track suitable for absolute position measuring in control measurement applications.

Connection



POTENTIOMETRIC OUTPUT

1. Resistance / +Supply
2. Output
3. Resistance / -Supply
4. SHIELD

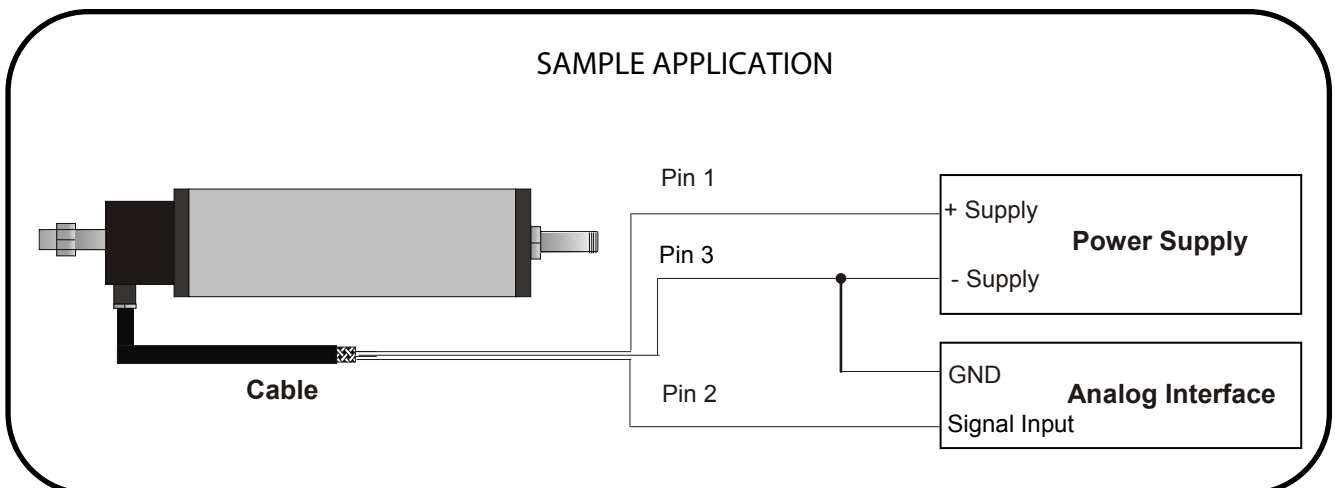


Potentiometric Connection
(Voltage Divider)

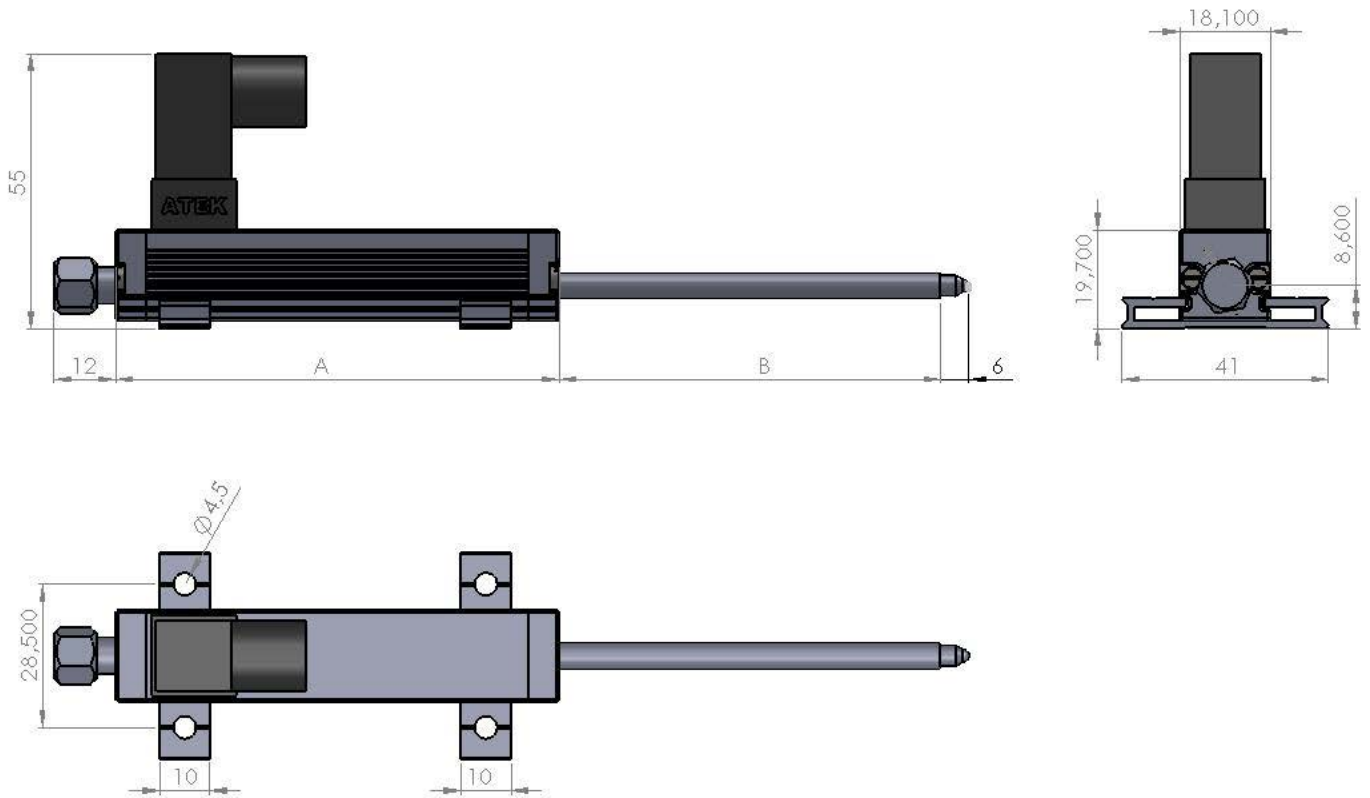
Technical Specifications

Defined Electrical Ranges (mm)	10 – 25 – 50 – 75 – 100 - 150
Resistance Element	Conductive Plastic
Output Signals	Potentiometric
Independent Linearity	± %0,3
Electrical Connection	4 pin female DIN43650
Power Supply	Maximum 42 VDC
Resistance	5K – 10 K ±%20 (Optional Other)
Protection Class	IP64
Operating Temperature	-30°C +100°C
Life	100 Million Movements
Rod Material	Stainless Steel
Housing Material	Anodized Aluminum

SAMPLE APPLICATION



Mechanical Dimensions



Strokes (mm)	10	25	50	75	100	150
A	48	63	95	135	167	227
B	16	57	82	107	132	182
Electrical Stroke	10	25	50	75	100	150
Mechanical Stroke	12	27	52	77	102	152

Order Code

Model No

Defined Stroke Range

Several Standard Lengths From 10 mm to 150 mm

L T R - 1 0 0

