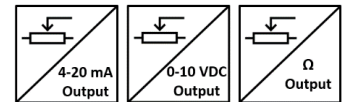




GENERAL FEATURES

- Push-back spring system
- Potentiometric measurement
- Potentiometric, 4-20 mA or 0-10V analog output options
- Optionally cable or DIN43650-C socket connection
- Measurement lengths between 10 mm and 300 mm
- Long life up to 100 million movements
- High accuracy
- High operating speed up to 5 m/s
- Compact design



The most important feature of the LTR Series position sensors is the push-back spring.

They work as ABSOLUTE because they are measuring with the potentiometric principle, that is, they do not lose their position in case of power off. Potentiometric, 4-20 mA (optional 0-20 mA) or 0-10V analog output options are available.

Because of their linearized conductive plastic resistance alloy and special contacts, they are not affected by wear and operate for a long time with a life cycle of up to 100 million. They are stable by being linear and they measure evenly.

TECHNICAL SPECIFICATIONS

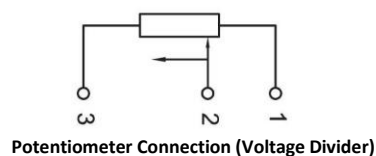
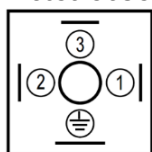
Model	LTR 010	LTR 025	LTR 050	LTR 075	LTR 100	LTR 125	LTR 150	LTR 200	LTR 250	LTR 300
Electrical Stroke (mm)	10	25	50	75	100	125	150	200	250	300
Mechanical Stroke (mm)	12	27	52	77	102	127	152	202	252	302
Independent Linearity	±1%	±0,5%	±0,4%	±0,25%	±0,2%	±0,2%	±0,2%	±0,1%	±0,1%	±0,1%
Repeatability	0.01 mm									
Max Operating Speed	5 m/s									
Resistance Element	Conductive Plastic									
Resistance	5K, 10K (optional other)									
Output Signal	4-20 mA (optional 0...20 mA), 0-10V or Potentiometric									
Supply Voltage	'A' ve 'V' models: 12...30 VDC Potentiometric output model: 42V max.									
Electrical Connection	DIN 43650-C socket or 3 x 0,14 mm ² shielded PVC cable									
Operating Temperature	-30°C...+100°C									
IP Protection Class	IP40									
Life	100 million movements									
Rod Material	Stainless Steel									
Body Material	Aluminum									

ELECTRICAL CONNECTION

SIGNAL	CABLE COLOR	DIN 43650-C SOCKET
+VDC	Red	Pin 1
Output Signal*	Yellow	Pin 2
-VDC	Black	Pin 3

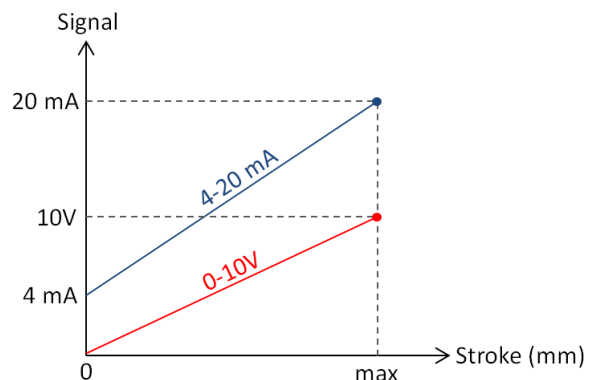
* Output Signal may be potentiometric, 0-10 VDC or 4-20 mA depending on the model (See Product code table).

DIN 43650-C SOCKET

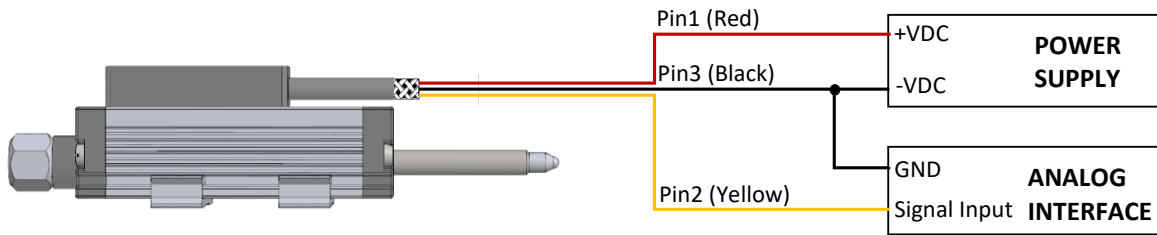


Note: The GND line of the feed and signal output is common. Therefore it can be connected with 3-wire cable.

Output Signal Graphic

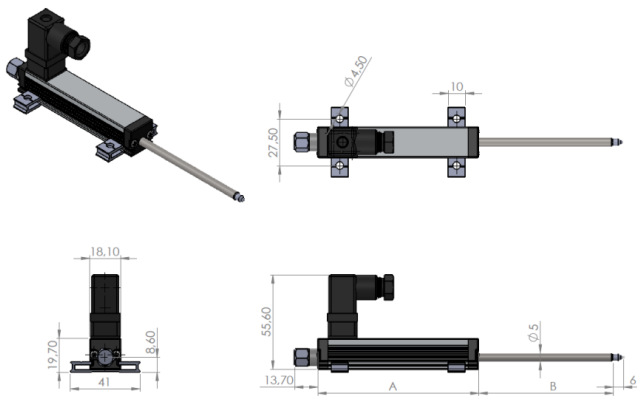


SAMPLE APPLICATION

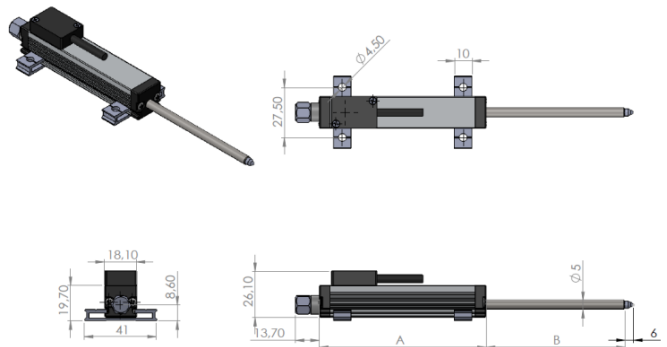


MECHANICAL DIMENSIONS (mm)

MODEL WITH DIN 43650-C SOCKET



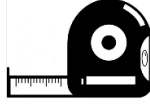
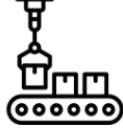
MODEL WITH 3 x 0,14 mm² CABLE



	Stroke (mm)	10	25	50	75	100	125	150	200	250	300
Potentiometric Output (with cable or socket)	A	48	64	95	128	167	193	226	289	354	417
	B	37	54	80	102	120	152	176	227	277	328
0-10 V or 4-20 mA Output (with cable)	A	48	64	95	128	167	193	226	289	354	417
	B	37	54	80	102	120	152	176	227	277	328
0-10 V or 4-20 mA Output (with socket)	A	82	97	122	147	172	197	222	289	354	417
	B	50	65	90	115	140	165	190	257	322	385

SAMPLE APPLICATION FIELDS

- Measuring /control technology
- Manufacturing engineering like woodwork machines, riveting machines, packaging machines and welding machines etc.



- Assembly / test devices
- Medical applications
- Building technology

ORDER CODE

Model No

L T R - X - X - X - X

Output Signal

A: 4-20 mA (*Optional 0-20 mA)

V: 0-10 VDC

No Code: Potentiometric

Electrical Connection

No Code: DIN43650-C socket (standard)

2M: 2 meters PVC cable (optional)

Measuring Lengths (stroke)

Different measuring lengths between 10 mm and 300 mm

Resistance Value

5K: 5K Ω

10K: 10K Ω



Atek Sensor Technology A.S.



Tuzla KOSB Organize Sanayi Bölgesi Melek Aras Bulvarı, No:67 34956 Tuzla-İstanbul / TURKEY



Tel: +90 216 399 44 04



Fax: +90 216 399 44 02



www.ateksensor.com



info@ateksensor.com